

MINITEMP®

Portable Infrared Thermometer



Noncontact Temperature Measurement

The MiniTemp MT6 thermometer—introducing automotive professionals to noncontact temperature measurement.



Diagnose problems faster and more easily with the Raytek MiniTemp MT6 infrared (IR) thermometer. Portable IR thermometers have become an indispensable tool for automotive troubleshooting and diagnosis. Spot cooling system faults, identify engine misfires, check for proper A/C performance, verify catalytic converter operation and much more.

The laser point sighting on the MT6 unit helps to direct measurements toward the target, and the large backlit display shows both the current and maximum readings simultaneously. With a protective boot for added durability, award winning ergonomic design and Raytek quality and accuracy, the MT6 model is the perfect introduction to infrared temperature measurements in automotive diagnostics.

- Durable and compact design
- Simple to use
- Laser point sighting
- Large, easy-to-read display
- Instant current and max readings
- Temperature range:
-30° to 500°C (-20° to 932°F)

Specifications

Measurement range	-30 to 500°C (-20 to 932°F)
Accuracy	±1°C (2°F) from 10°C to 30°C (50°F to 86°F), ± 1.5% of reading or ± 1.5°C (3°F) whichever is greater over the balance of the range (assumes standard and stable measurement conditions)
Repeatability	±0.5% of reading or ≤ ±1°C (±2°F) whichever is greater
Emissivity*	preset 0.95
Response time	<500 mSec
Distance to spot size	10:1 calculated @ 80% energy
Spectral range	6.5–18 μm thermopile detector
Display resolution	0.2°C (0.5°F)
Display hold (7 seconds)	✓
LCD backlit	✓
Temperature display	°C or °F selectable
Ambient operating range	0 to 50°C (32 to 120°F)
Relative humidity	10-90% RH noncondensing, @ up to 30°C (86°F)
Typical distance to target (spot)	Up to 2 m (6 ft)
Laser class II	Laser Point Sighting
Weight/dimensions	7 oz (200g) 152 x 101 x 38 mm (6 x 4 x 1.5 in)
Power	9V Alkaline battery (included)
Battery life (alkaline)	12 hours
Storage temperature	-20 to 65°C (-4°F to 150°F) without battery
Options/accessories	Includes protective boot and storage pouch
Warranty	2 years** (conditional)

*For more information on emissivity for unique applications visit
www.raytek.com/emissivity.htm

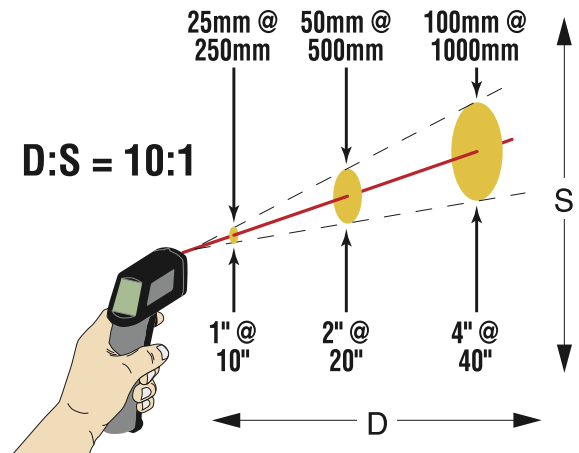
**US only. Warranty duration may vary by country.

Raytek Corporation
Worldwide Headquarters
 1201 Shaffer Rd. PO Box 1820
 Santa Cruz, CA 95061-1820 USA
 Tel: 1 800 866 5478
 1 831 458 1110
 Fax: 1 831 425 4561
solutions@raytek.com

To find a Raytek office near you please visit www.raytek.com

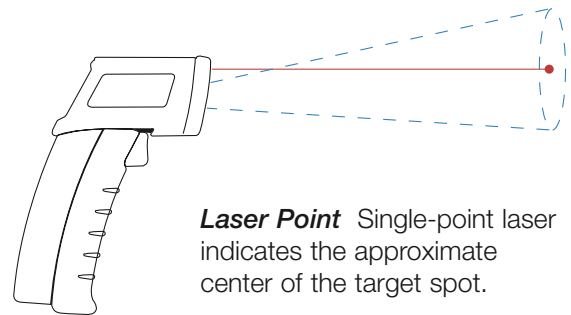


Optical Resolution



The MiniTemp MT6 thermometer is intended for close range targets, measuring a minimum target area of 1 inch in diameter from a distance of approximately 10 inches, and measuring approximately a 6 inch area from 5 feet away.

Laser Sighting



Included

Storage Pouch



www.raytek.com

for up-to-the-minute features